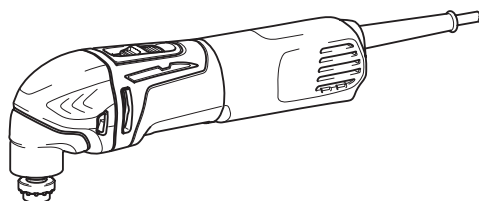


INSTRUCTION MANUAL
MANUEL D'INSTRUCTION
MANUAL DE INSTRUCCIONES



Multi Tool
Outil Multi-Fonctions
Multitool
TM3000C



DOUBLE INSULATION
DOUBLE ISOLATION
DOBLE AISLAMIENTO

IMPORTANT: Read Before Using.
IMPORTANT : Lire avant usage.
IMPORTANTE: Lea antes de usar.

SPECIFICATIONS

Model	TM3000C
Oscillation per minute	6,000 - 20,000/min
Oscillation angle, left/right	1.6° (3.2° total)
Overall length	275 mm (10-7/8")
Net weight	1.4 kg (3.2 lbs.)

- Due to our continuing program of research and development, the specifications herein are subject to change without notice.
- Specifications may differ from country to country.
- Weight according to EPTA-Procedure 01/2003

General Power Tool Safety Warnings

⚠WARNING Read all safety warnings and all instructions. Failure to follow the warnings and instructions may result in electric shock, fire and/or serious injury.

Save all warnings and instructions for future reference.

The term "power tool" in the warnings refers to your mains-operated (corded) power tool or battery-operated (cordless) power tool.

Work area safety

1. **Keep work area clean and well lit.** Cluttered or dark areas invite accidents.
2. **Do not operate power tools in explosive atmospheres, such as in the presence of flammable liquids, gases or dust.** Power tools create sparks which may ignite the dust or fumes.
3. **Keep children and bystanders away while operating a power tool.** Distractions can cause you to lose control.

Electrical Safety

4. **Power tool plugs must match the outlet. Never modify the plug in any way. Do not use any adapter plugs with earthed (grounded) power tools.** Unmodified plugs and matching outlets will reduce risk of electric shock.
5. **Avoid body contact with earthed or grounded surfaces such as pipes, radiators, ranges and refrigerators.** There is an increased risk of electric shock if your body is earthed or grounded.
6. **Do not expose power tools to rain or wet conditions.** Water entering a power tool will increase the risk of electric shock.
7. **Do not abuse the cord. Never use the cord for carrying, pulling or unplugging the power tool. Keep cord away from heat, oil, sharp edges or moving parts.** Damaged or entangled cords increase the risk of electric shock.
8. **When operating a power tool outdoors, use an extension cord suitable for outdoor use.** Use of a cord suitable for outdoor use reduces the risk of electric shock.
9. **If operating a power tool in a damp location is unavoidable, use a ground fault circuit interrupter (GFCI) protected supply.** Use of an GFCI reduces the risk of electric shock.

Personal Safety

10. **Stay alert, watch what you are doing and use common sense when operating a power tool. Do not use a power tool while you are tired or under the influence of drugs, alcohol or medication.** A moment of inattention while operating power tools may result in serious personal injury.
11. **Use personal protective equipment. Always wear eye protection.** Protective equipment such as dust mask, non-skid safety shoes, hard hat, or hearing protection used for appropriate conditions will reduce personal injuries.
12. **Prevent unintentional starting. Ensure the switch is in the off-position before connecting to power source and/or battery pack, picking up or carrying the tool.** Carrying power tools with your finger on the switch or energising power tools that have the switch on invites accidents.
13. **Remove any adjusting key or wrench before turning the power tool on.** A wrench or a key left attached to a rotating part of the power tool may result in personal injury.
14. **Do not overreach. Keep proper footing and balance at all times.** This enables better control of the power tool in unexpected situations.
15. **Dress properly. Do not wear loose clothing or jewellery. Keep your hair, clothing, and gloves away from moving parts.** Loose clothes, jewellery or long hair can be caught in moving parts.
16. **If devices are provided for the connection of dust extraction and collection facilities, ensure these are connected and properly used.** Use of dust collection can reduce dust-related hazards.

Power tool use and care

17. **Do not force the power tool. Use the correct power tool for your application.** The correct power tool will do the job better and safer at the rate for which it was designed.
18. **Do not use the power tool if the switch does not turn it on and off.** Any power tool that cannot be controlled with the switch is dangerous and must be repaired.
19. **Disconnect the plug from the power source and/or the battery pack from the power tool before making any adjustments, changing accessories, or storing power tools.** Such preventive safety measures reduce the risk of starting the power tool accidentally.

20. **Store idle power tools out of the reach of children and do not allow persons unfamiliar with the power tool or these instructions to operate the power tool.** Power tools are dangerous in the hands of untrained users.
21. **Maintain power tools. Check for misalignment or binding of moving parts, breakage of parts and any other condition that may affect the power tool's operation. If damaged, have the power tool repaired before use.** Many accidents are caused by poorly maintained power tools.
22. **Keep cutting tools sharp and clean.** Properly maintained cutting tools with sharp cutting edges are less likely to bind and are easier to control.
23. **Use the power tool, accessories and tool bits etc. in accordance with these instructions, taking into account the working conditions and the work to be performed.** Use of the power tool for operations different from those intended could result in a hazardous situation.

Service

24. **Have your power tool serviced by a qualified repair person using only identical replacement parts.** This will ensure that the safety of the power tool is maintained.
25. **Follow instruction for lubricating and changing accessories.**
26. **Keep handles dry, clean and free from oil and grease.**

USE PROPER EXTENSION CORD. Make sure your extension cord is in good condition. When using an extension cord, be sure to use one heavy enough to carry the current your product will draw. An undersized cord will cause a drop in line voltage resulting in loss of power and overheating. Table 1 shows the correct size to use depending on cord length and nameplate ampere rating. If in doubt, use the next heavier gage. The smaller the gage number, the heavier the cord.

Table 1: Minimum gage for cord

Ampere Rating		Volts	Total length of cord in feet			
		120V	25 ft.	50 ft.	100 ft.	150 ft.
		220V - 240V	50 ft.	100 ft.	200 ft.	300 ft.
More Than	Not More Than	AWG				
0	6	/	18	16	16	14
6	10		18	16	14	12
10	12		16	16	14	12
12	16		14	12	Not Recommended	

Multi tool safety warnings

1. **This power tool is intended to function for sawing, cutting, grinding and sanding. Read all safety warnings, instructions, illustrations and specifications provided with this power tool.** Failure to follow all instructions listed below may result in electric shock, fire and/or serious injury.
2. **Hold the power tool by insulated gripping surfaces, when performing an operation where the cutting accessory may contact hidden wiring or its own cord.** Cutting accessory contacting a "live" wire may make exposed metal parts of the power tool "live" and could give the operator an electric shock.
3. **Use clamps or another practical way to secure and support the workpiece to a stable platform.** Holding the work by hand or against your body leaves it unstable and may lead to loss of control.
4. **Position the cord clear of the spinning accessory.** If you lose control, the cord may be cut or snagged and your hand or arm may be pulled into the spinning accessory.
5. **Always use safety glasses or goggles.** Ordinary eye or sun glasses are NOT safety glasses.
6. **Avoid cutting nails.** Inspect workpiece for any nails and remove them before operation.
7. **Hold the tool firmly.**
8. **Make sure the application tool is not contacting the workpiece before the switch is turned on.**
9. **Keep hands away from moving parts.**
10. **Do not leave the tool running. Operate the tool only when hand-held.**
11. **Always switch off and wait for the blade to come to a complete stop before removing the blade from the workpiece.**
12. **Do not touch the application tool or the workpiece immediately after operation; they may be extremely hot and could burn your skin.**
13. **Do not operate the tool at no-load unnecessarily.**
14. **Always use the correct dust mask/respirator for the material and application you are working with.**
15. **Some material contains chemicals which may be toxic. Take caution to prevent dust inhalation and skin contact. Follow material supplier safety data.**
16. **This tool has not been waterproofed, so do not use water on the workpiece surface.**
17. **Ventilate your work area adequately when you perform sanding operations.**
18. **Use of this tool to sand some products, e.g. leaded paint surfaces, wood and metals could expose user and bystanders to dust containing hazardous substances. Use appropriate respiratory protection.**



19. **Be sure that there are no cracks or breakage on the pad before use. Cracks or breakage may cause a personal injury.**
20. **Do not use accessories which are not specifically designed and recommended by the tool manufacturer. Just because the accessory can be attached to your power tool, it does not assure safe operation.**
21. **Wear personal protective equipment. Depending on application, use face shield, safety goggles or safety glasses. As appropriate, wear hearing protectors, gloves and workshop apron capable of stopping small abrasive or workpiece fragments.** The eye protection must be capable of stopping flying debris generated by various operations. The dust mask or respirator must be capable of filtering particles generated by your operation. Prolonged exposure to high intensity noise may cause hearing loss.
22. **Keep bystanders a safe distance away from work area. Anyone entering the work area must wear personal protective equipment.** Fragments of workpiece or of a broken accessory may fly away and cause injury beyond immediate area of operation.
23. **Never lay the power tool down until the accessory has come to a complete stop.** The spinning accessory may grab the surface and pull the power tool out of your control.
24. **Do not run the power tool while carrying it at your side.** Accidental contact with the accessory could snag your clothing, pulling the accessory into your body.
25. **Do not operate the power tool near flammable materials.** Sparks could ignite these materials.
26. **Do not use accessories that require liquid coolants.** Using water or other liquid coolants may result in electrocution or shock.
27. **Always be sure that the tool is switched off and unplugged before carrying out any work on the tool.**
28. **If working place is extremely hot and humid, or badly polluted by conductive dust, use a short-circuit breaker (30 mA) to assure operator safety.**
29. **Always be sure you have a firm footing. Be sure no one is below when using the tool in high locations.**
30. **Before starting operation, make sure that there is no hidden supply lines such as electric, gas and water lines under the working surface.** Cutting or damaging the supply lines may cause electric shock, gas leakage, property damage, or other accidents.

SAVE THESE INSTRUCTIONS.

⚠WARNING: DO NOT let comfort or familiarity with product (gained from repeated use) replace strict adherence to safety rules for the subject product. MISUSE or failure to follow the safety rules stated in this instruction manual may cause serious personal injury.

Symbols

The followings show the symbols used for tool.

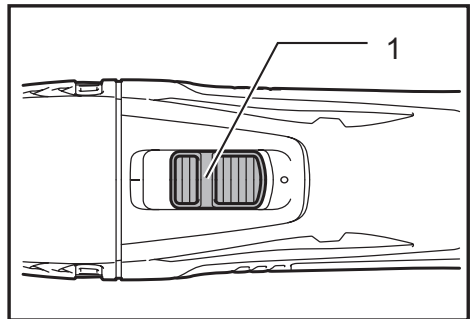
V	volts
A	amperes
Hz	hertz
	alternating current
n ₀	no load speed
	Class II Construction
... /min r /min	revolutions or reciprocation per minute

FUNCTIONAL DESCRIPTION

⚠WARNING:

- **Always be sure that the tool is switched off and unplugged before adjusting or checking function on the tool.** Failure to switch off and unplug the tool may result in serious personal injury from accidental start-up.

Switch action



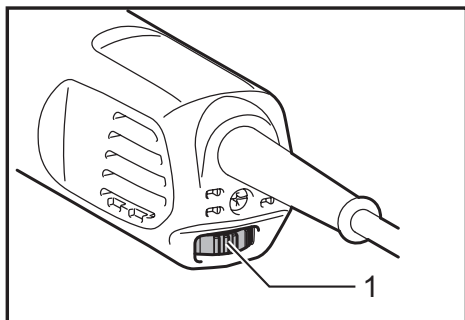
- 1. Slide switch

⚠CAUTION:

- Before plugging in the tool, always check to see that the tool is switched off.

To start the tool, slide the slide switch toward the "I (ON)" position.
To stop the tool, slide the slide switch toward the "O (OFF)" position.

Adjusting the orbital stroke rate



► 1. Dial

The orbital stroke rate is adjustable. To change the orbital stroke rate, turn the dial between 1 and 5. The higher the number is, the higher the orbital stroke rate is. Preset the dial to the number suitable for your workpiece.

NOTE:

- The dial cannot be turned directly from 1 to 5 or from 5 to 1. Forcing the dial may damage the tool. When changing the dial direction, always turn the dial moving it through each intermediate number.

Constant speed control

Electronic speed control for obtaining constant speed. Possible to get fine finish, because the orbital stroke rate is kept constant even under load condition.

ASSEMBLY

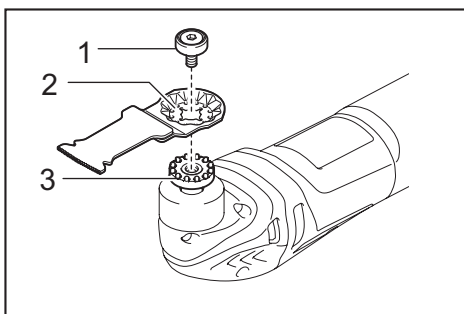
⚠ CAUTION:

- Always be sure that the tool is switched off and unplugged before carrying out any work on the tool.

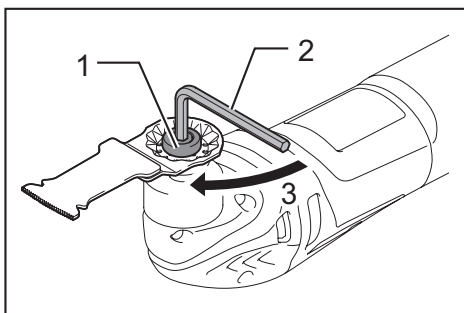
Installing or removing application tool (optional accessory)

⚠ WARNING:

- Do not install application tool upside down. Installing application tool upside down may damage the tool and cause serious personal injury.
- Install attachment tool in the correct direction according to your work. Application tool can be installed at an angle of every 30 degree.

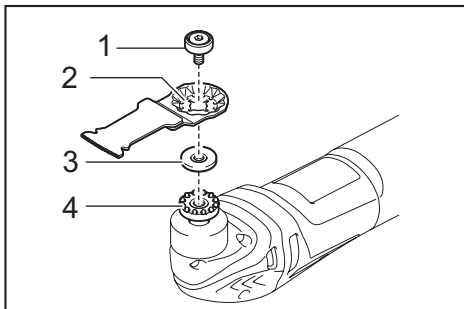


► 1. Application tool installation bolt 2. Holes in the application tool 3. Protrusions of the tool flange



► 1. Application tool installation bolt 2. Hex wrench 3. Tighten

Put an application tool (optional accessory) on the tool flange so that the protrusions of the tool flange fit in the holes in the application tool and secure the application tool by tightening the bolt firmly with the hex wrench. When using sanding application tool, mount the application tool on the sanding pad so that it matches the sanding pad direction. The sanding pad has a hook and loop type fitting system which allows easy and rapid fitting of a sanding paper. As sanding papers have holes for dust extraction, mount a sanding paper so that the holes in a sanding paper match those in the sanding pad. To remove a sanding paper, raise its end and peel it off. Loosen and remove the application tool installation bolt using a hex wrench and then take off the application tool.



► 1. Application tool installation bolt 2. Holes in the application tool 3. Adapter 4. Protrusions of the tool flange

When using application tools with a different type of installation section, use a correct adapter (optional accessory).

OPERATION

⚠ WARNING:

- Before starting the tool and during operation, keep your hand and face away from the application tool.

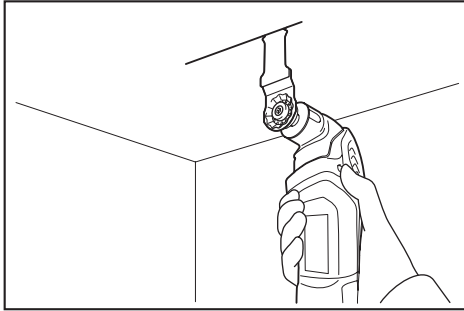
⚠ CAUTION:

- Do not apply excessive load to the tool which may cause a motor lock and stop the tool.

Cutting, sawing and scraping

⚠ CAUTION:

- Do not move on the tool forcibly in the direction (eg. towards either side) of tool application with no cutting edge. It may damage the tool.



Put the application tool on the workpiece. And then move the tool forward so that the application tool movement does not slow down.

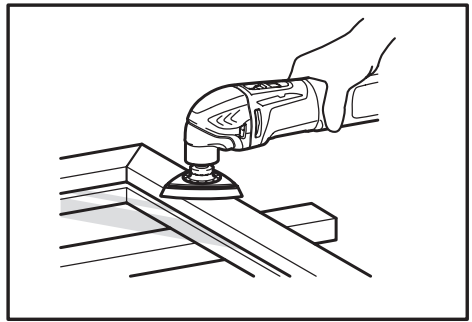
NOTE:

- Forcing or excessive pressure on the tool may reduce efficiency.
- Before cutting operation, it is recommended to preset the orbital stroke rate 3 - 5.

Sanding

⚠ CAUTION:

- Do not reuse a sanding paper used for sanding metal to sand wood.
- Do not use a worn sanding paper or sanding paper without grit.

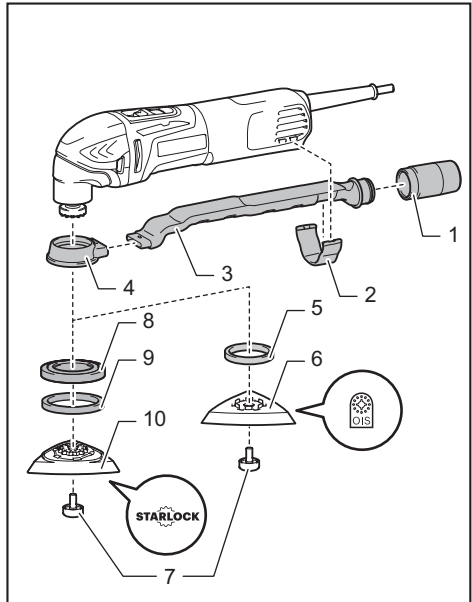


Apply a sanding paper on the workpiece.

NOTE:

- Using a test material sample to try is recommendable to determine a correct orbital stroke rate suitable for your work.
- Use a sanding paper with the same grit until sanding the whole workpiece is completed. Replacing a sanding paper with different grit sanding paper may not get a fine finish.

Dust extraction attachment (optional accessory)



- 1. Joint 2. Nozzle band 3. Dust nozzle 4. Dust attachment 5. Felt ring (\varnothing 37 mm (1-7/16")) 6. Pad (with OIS marking) 7. Application tool installation bolt 8. Spacer 9. Felt ring (\varnothing 47 mm (1-7/8")) 10. Pad (with STARLOCK marking)

OPTIONAL ACCESSORIES

⚠ CAUTION:

- These accessories or attachments are recommended for use with your Makita tool specified in this manual. The use of any other accessories or attachments might present a risk of injury to persons. Only use accessory or attachment for its stated purpose.

If you need any assistance for more details regarding these accessories, ask your local Makita Service Center.

- Segment saw blade
- Round saw blade
- Plunge cut saw blade
- Scraper (rigid)
- Scraper (flexible)
- Serrated seg blade
- General joint cutter
- HM remover
- HM seg saw blade
- HM sanding plate
- Diamond seg sawblade
- Sanding pad
- Adapter
- Abrasive paper delta (red / white / black)
- Fleece delta (medium / coarse / without grit)
- Polishing felt delta
- Hex wrench
- Dust extraction attachment

NOTE:

- Some items in the list may be included in the tool package as standard accessories. They may differ from country to country.

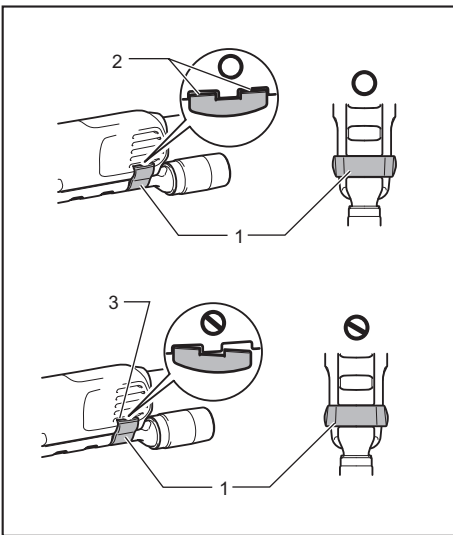
MAKITA LIMITED WARRANTY

Please refer to the annexed warranty sheet for the most current warranty terms applicable to this product. If annexed warranty sheet is not available, refer to the warranty details set forth at below website for your respective country.

United States of America: www.makitatools.com

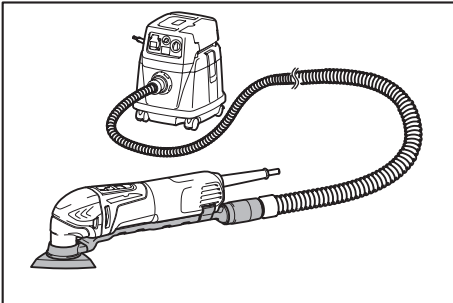
Canada: www.makita.ca

Other countries: www.makita.com



► 1. Nozzle band 2. Protrusions 3. Holes

- Install joint, dust nozzle and dust attachment.
- Install the nozzle band on the tool so that its protrusions fit in the holes in the tool to secure it.
- Put the felt ring and the sanding pad on the dust attachment and then secure them with the application tool installation bolt.



When you wish to perform cleaner operation, connect a vacuum cleaner to your tool. Connect a hose of vacuum cleaner to the dust extraction attachment (optional accessory).

MAINTENANCE

⚠ CAUTION:

- Always be sure that the tool is switched off and unplugged before attempting to perform inspection or maintenance.
- Never use gasoline, benzine, thinner, alcohol or the like. Discoloration, deformation or cracks may result.

To maintain product SAFETY and RELIABILITY, repairs, carbon brush inspection and replacement, any other maintenance or adjustment should be performed by Makita Authorized or Factory Service Centers, always using Makita replacement parts.

SPECIFICATIONS

Modèle	TM3000C
Oscillation par minute	6 000 - 20 000 /min
Angle d'oscillation gauche/droite	1,6° (3,2° totale)
Longueur totale	275 mm (10-7/8")
Poids net	1,4 kg (3,2 lbs.)

- Étant donné l'évolution constante de notre programme de recherche et de développement, les spécifications contenues dans ce manuel sont sujettes à modification sans préavis.
- Les spécifications peuvent varier suivant les pays.
- Poids conforme à la procédure EPTA du 01/2003

Consignes de sécurité générales pour outils électriques

⚠ MISE EN GARDE Veuillez lire toutes les mises en garde de sécurité et toutes les instructions. L'ignorance des mises en garde et des instructions comporte un risque de choc électrique, d'incendie et/ou de blessure grave.

Conservez toutes les mises en garde et instructions pour référence future.

Le terme « outil électrique » qui figure dans les avertissements fait référence à un outil électrique branché sur une prise de courant (par un cordon d'alimentation) ou alimenté par batterie (sans fil).

Sécurité de la zone de travail

1. **Maintenez la zone de travail propre et bien éclairée.** Les zones de travail encombrées ou sombres ouvrent grande la porte aux accidents.
2. **N'utilisez pas les outils électriques dans les atmosphères explosives, par exemple en présence de liquides, gaz ou poussières inflammables.** Les outils électriques produisent des étincelles au contact desquelles la poussière ou les vapeurs peuvent s'enflammer.
3. **Assurez-vous qu'aucun enfant ou curieux ne s'approche pendant que vous utilisez un outil électrique.** Vous risquez de perdre la maîtrise de l'outil si votre attention est détournée.

Sécurité en matière d'électricité

4. **Les fiches d'outil électrique sont conçues pour s'adapter parfaitement aux prises de courant. Ne modifiez jamais la fiche de quelque façon que ce soit. N'utilisez aucun adaptateur de fiche sur les outils électriques avec mise à la terre.** En ne modifiant pas les fiches et en les insérant dans des prises de courant pour lesquelles elles ont été conçues vous réduirez les risques de choc électrique.
5. **Évitez tout contact corporel avec les surfaces mises à la terre, telles que les tuyaux, radiateurs, cuisinières et réfrigérateurs.** Le risque de choc électrique est plus élevé si votre corps se trouve mis à la terre.

6. **N'exposez pas les outils électriques à la pluie ou à l'eau.** La présence d'eau dans un outil électrique augmente le risque de choc électrique.
7. **Ne maltraitez pas le cordon. N'utilisez jamais le cordon pour transporter, tirer ou débrancher l'outil électrique. Maintenez le cordon à l'écart des sources de chaleur, de l'huile, des objets à bords tranchants et des pièces en mouvement.** Le risque de choc électrique est plus élevé lorsque les cordons sont endommagés ou enchevêtrés.
8. **Lorsque vous utilisez un outil électrique à l'extérieur, utilisez un cordon prolongateur prévu à cette fin.** Les risques de choc électrique sont moindres lorsqu'un cordon conçu pour l'extérieur est utilisé.
9. **Si vous devez utiliser un outil électrique dans un endroit humide, utilisez une source d'alimentation protégée par un disjoncteur de fuite à la terre.** L'utilisation d'un disjoncteur de fuite à la terre réduit le risque de choc électrique.

Sécurité personnelle

10. **Restez alerte, attentif à vos mouvements et faites preuve de bon sens lorsque vous utilisez un outil électrique. Évitez d'utiliser un outil électrique si vous êtes fatigué ou si vous avez pris une drogue, de l'alcool ou un médicament.** Un moment d'inattention pendant l'utilisation d'un outil électrique peut entraîner une grave blessure.
11. **Portez des dispositifs de protection personnelle. Portez toujours un protecteur pour la vue.** Les risques de blessure seront moins élevés si vous utilisez des dispositifs de protection tels qu'un masque antipoussières, des chaussures à semelle antidérapante, une coiffure résistante ou une protection d'oreilles.
12. **Évitez les démarrages accidentels. Assurez-vous que l'interrupteur soit en position d'arrêt avant de brancher l'outil à la prise électrique et/ou au bloc-piles, avant de prendre ou de transporter l'outil.** Vous ouvrez la porte aux accidents si vous transportez les outils électriques avec le doigt sur l'interrupteur ou si vous les branchez alors que l'interrupteur est en position de marche.
13. **Retirez toute clé de réglage ou de serrage avant de mettre l'outil sous tension.** Toute clé laissée en place sur une pièce rotative de l'outil électrique peut entraîner une blessure.

14. **Maintenez une bonne position. Assurez-vous d'une bonne prise au sol et d'une bonne position d'équilibre en tout temps.** Cela vous permettra d'avoir une meilleure maîtrise de l'outil dans les situations imprévues.
15. **Portez des vêtements adéquats. Ne portez ni vêtements amples ni bijoux. Vous devez maintenir cheveux, vêtements et gants à l'écart des pièces en mouvement.** Les pièces en mouvement peuvent happer les vêtements amples, les bijoux et les cheveux longs.
16. **Si des accessoires sont fournis pour raccorder un appareil d'aspiration et de collecte de la poussière, assurez-vous qu'ils sont correctement raccordés et qu'ils sont utilisés de manière adéquate.** L'utilisation d'un appareil d'aspiration permet de réduire les risques liés à la présence de poussière dans l'air.
21. **Veillez à l'entretien des outils électriques. Assurez-vous que les pièces mobiles ne sont pas désalignées ou coincées, qu'aucune pièce n'est cassée et que l'outil électrique n'a subi aucun dommage affectant son bon fonctionnement. Le cas échéant, faites réparer l'outil électrique avant de l'utiliser.** De nombreux accidents sont causés par des outils électriques mal entretenus.
22. **Maintenez les outils tranchants bien aiguisés et propres.** Un outil tranchant dont l'entretien est effectué correctement et dont les bords sont bien aiguisés risquera moins de se coincer et sera plus facile à maîtriser.
23. **Utilisez l'outil électrique, ses accessoires, ses embouts, etc., en respectant les présentes instructions, en tenant compte des conditions de travail et du type de travail à effectuer.** L'utilisation d'un outil électrique à des fins autres que celles prévues peut entraîner une situation dangereuse.

Utilisation et entretien des outils électriques

17. **Ne forcez pas l'outil électrique. Utilisez l'outil électrique adéquat suivant le type de travail à effectuer.** Si vous utilisez l'outil électrique adéquat et respectez le régime pour lequel il a été conçu, il effectuera un travail de meilleure qualité et de façon plus sécuritaire.
18. **N'utilisez pas l'outil électrique s'il n'est pas possible de mettre sa gâchette en position de marche et d'arrêt.** Un outil électrique dont l'interrupteur est défectueux représente un danger et doit être réparé.
19. **Débranchez la fiche de la source d'alimentation et/ou retirez le bloc-piles de l'outil électrique avant d'effectuer tout réglage, de changer un accessoire ou de ranger l'outil électrique.** De telles mesures préventives réduisent les risques de démarrage accidentel de l'outil électrique.
20. **Après l'utilisation d'un outil électrique, rangez-le hors de portée des enfants et ne laissez aucune personne l'utiliser si elle n'est pas familiarisée avec l'outil électrique ou les présentes instructions d'utilisation.** Les outils électriques représentent un danger entre les mains de personnes qui n'en connaissent pas le mode d'utilisation.

Réparation

24. **Faites réparer votre outil électrique par un réparateur qualifié qui utilise des pièces de rechange identiques aux pièces d'origine.** Le maintien de la sûreté de l'outil électrique sera ainsi assuré.
25. **Suivez les instructions de lubrification et de changement des accessoires.**
26. **Maintenez les poignées de l'outil sèches, propres et exemptes d'huile ou de graisse.**
 UTILISEZ UN CORDON PROLONGATEUR APPROPRIÉ. Assurez-vous que votre cordon prolongateur est en bonne condition. Lorsque vous utilisez un cordon prolongateur, assurez-vous qu'il est assez robuste pour transporter le courant exigé par le produit. Un cordon qui est trop petit entraînera une baisse dans la tension composée, ce qui causera une perte d'énergie et un surchauffage. Le tableau 1 indique la dimension de cordon à utiliser, en fonction de la longueur du cordon et de l'intensité nominale figurant sur la plaque signalétique. En cas de doute, utilisez un cordon plus robuste. Plus le numéro de calibre est bas, plus le cordon est robuste.

Tableau 1. Gabarit minimum du cordon

Intensité nominale		Volts	Longueur totale du cordon en pieds			
		120V	25 pi	50 pi	100 pi	150 pi
		220V - 240V	50 pi	100 pi	200 pi	300 pi
Plus de	Pas plus de	Calibre américain des fils				
0	6	/	18	16	16	14
6	10		18	16	14	12
10	12		16	16	14	12
12	16		14	12	Non recommandé	

Consignes de sécurité pour l'outil multi-fonctions

- Cet outil électrique est conçu pour scier, couper, meuler et poncer. Veuillez lire l'ensemble des consignes de sécurité, instructions, illustrations et spécifications fournies pour cet outil électrique.** Il existe un risque de décharge électrique, d'incendie et/ou de blessure grave si toutes les instructions énumérées ci-dessous ne sont pas respectées.
- Tenez l'outil électrique par ses surfaces de prise isolées, pendant toute utilisation où l'accessoire de coupe pourrait venir en contact avec un câblage dissimulé ou avec le cordon de l'outil.** En cas de contact de l'accessoire de coupe avec un fil sous tension, les pièces métalliques à découvert de l'outil électrique pourraient se mettre sous tension et risqueraient de transmettre une décharge électrique à l'utilisateur.
- Utilisez des dispositifs de serrage ou un autre moyen pratique pour soutenir la pièce en la fixant à une surface de travail stable.** La pièce sera instable et vous risquez d'en perdre la maîtrise si vous la tenez avec une main ou l'appuyez simplement contre une partie du corps.
- Placez le cordon à l'écart de l'accessoire en rotation.** Si vous perdez la maîtrise de l'outil, le cordon risque d'être coupé ou accroché, et votre main ou bras risque d'être entraîné vers l'accessoire en rotation.
- Portez toujours des lunettes de sécurité ou des lunettes à coques. Les lunettes ordinaires et les lunettes de soleil NE sont PAS des lunettes de sécurité.**
- Évitez les clous.** Avant de commencer le travail, vérifiez la pièce pour en retirer tous les clous.
- Tenez l'outil fermement.**
- Assurez-vous que l'outil d'application n'entre pas en contact avec la pièce avant de mettre l'outil sous tension.**
- Gardez vos mains éloignées des pièces mobiles.**
- N'abandonnez pas l'outil alors qu'il tourne. Ne faites fonctionner l'outil qu'une fois que vous l'avez bien en main.**
- Avant de retirer la lame de la pièce, coupez toujours le contact et attendez l'arrêt complet de la lame.**
- Ne touchez ni l'outil d'application ni la pièce immédiatement après l'exécution du travail. Ils risquent d'être extrêmement chauds et de vous brûler la peau.**
- Ne faites pas tourner inutilement l'outil à vide.**
- Utilisez toujours un masque antipoussières ou un masque filtrant approprié au matériau à travailler et à l'application utilisée.**
- Certains matériaux contiennent des produits chimiques qui peuvent être toxiques. Prenez les précautions nécessaires pour éviter l'inhalation de ces poussières ou leur contact avec la peau. Conformez-vous aux consignes de sécurité du fournisseur du matériau.**
- Cet outil n'ayant pas été imperméabilisé, n'utilisez pas d'eau sur la surface de la pièce à travailler.**
- Aérez votre zone de travail de manière adéquate lorsque vous effectuez des travaux de ponçage.**
- Utiliser cet outil pour poncer certains produits, par exemple les surfaces recouvertes de peinture à base de plomb, le bois et les métaux peut exposer l'utilisateur et les personnes présentes à des poussières qui contiennent des substances dangereuses. Utilisez une protection des voies respiratoires appropriée.**
- Avant l'utilisation, assurez-vous que le patin n'est ni fissuré ni cassé. Il y a risque de blessure s'il est fissuré ou cassé.**
- N'utilisez pas d'accessoire n'étant pas conçu et recommandé spécifiquement par le fabricant de l'outil. Même si vous pouvez fixer l'accessoire à l'outil électrique, cela ne garantit pas pour autant un fonctionnement sécuritaire.**
- Portez un équipement de protection individuel. Selon l'application, utilisez un écran facial, des lunettes à coques ou des lunettes de sécurité. Lorsque la situation le nécessite, portez des protecteurs d'oreilles, des gants et un tablier capable d'arrêter les petits fragments abrasifs ou ceux de la pièce. Les lunettes de protection doivent être en mesure d'arrêter les débris projetés par les diverses opérations. Le masque antipoussières ou le respirateur doit être capable de filtrer les particules générées par le travail effectué. Une exposition prolongée à un bruit de forte intensité peut provoquer une perte d'audition.**
- Gardez les curieux à une distance sécuritaire de la zone de travail. Toute personne entrant dans la zone de travail doit porter un équipement de protection individuel. Il est possible que des fragments de la pièce ou d'un accessoire cassé soient propulsés et provoquent des blessures hors de la zone de travail immédiate.**
- Ne reposez jamais l'outil électrique tant que l'accessoire n'est pas complètement arrêté. L'accessoire rotatif pourrait s'agripper à la surface et rendre l'outil électrique incontrôlable.**
- Ne faites pas fonctionner l'outil électrique pendant que vous le transportez. Un contact accidentel avec l'accessoire pourrait déchirer vos vêtements et entraîner l'accessoire vers votre corps.**
- N'utilisez pas l'outil électrique près de matériaux inflammables. Les étincelles qui jaillissent de l'outil risqueraient d'enflammer ces matériaux.**
- N'utilisez pas d'accessoires nécessitant des liquides de refroidissement. L'utilisation d'eau ou autres liquides de refroidissement pourrait provoquer l'électrocution ou une décharge électrique.**
- Avant d'effectuer toute intervention sur l'outil, assurez-vous toujours qu'il est hors tension et débranché.**
- Si le lieu de travail est extrêmement chaud et humide, ou très pollué par des poussières conductrices, utilisez un coupe-circuit (30 mA) pour assurer la sécurité de l'utilisateur.**



29. **Veillez à garder toujours une bonne assise. Assurez-vous que personne ne se trouve au-dessous de vous quand vous utilisez l'outil dans des emplacements élevés.**
30. **Avant de commencer le travail, vérifiez l'absence de toute ligne d'approvisionnement telle que des lignes électriques, ou des conduites de gaz ou d'eau, sous la surface de travail.**
Couper ou détériorer une ligne d'approvisionnement peut provoquer une décharge électrique, une fuite de gaz, des dommages matériels ou d'autres accidents.

CONSERVEZ CE MODE D'EMPLOI.

⚠ MISE EN GARDE : NE VOUS LAISSEZ PAS tromper (au fil d'une utilisation répétée) par un sentiment d'aisance ou de familiarité avec le produit en négligeant les consignes de sécurité qui accompagnent le produit. L'UTILISATION INCORRECTE ou l'ignorance des consignes de sécurité du présent manuel d'instructions comporte un risque de blessure grave.

Symboles

Les symboles utilisés pour l'outil sont indiqués ci-dessous.

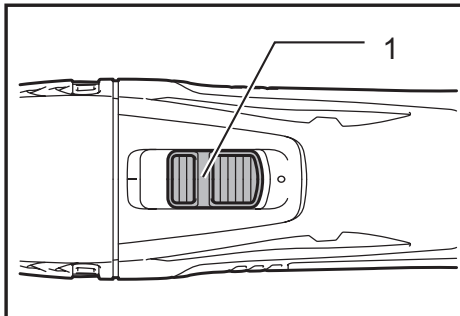
V	volts
A	ampères
Hz	hertz
	courant alternatif
n _e	vitesse à vide
	construction, catégorie II
... /min r /min	tours ou alternances par minute

DESCRIPTION DU FONCTIONNEMENT

⚠ MISE EN GARDE :

- Assurez-vous toujours que l'outil est éteint et débranché avant d'effectuer un réglage ou de vérifier quelque chose sur l'outil. Si vous ne respectez pas cette précaution, vous risquez des blessures graves dues à un démarrage accidentel.

Interrupteur



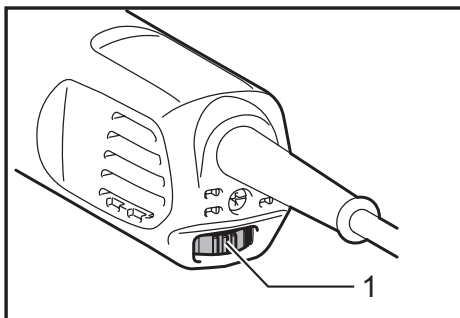
► 1. Interrupteur à glissière

⚠ ATTENTION :

- Avant de brancher l'outil, vérifiez toujours que l'outil est hors tension.

Pour démarrer l'outil, faites glisser l'interrupteur sur la position « I (ON) ».
Pour arrêter l'outil, faites glisser l'interrupteur sur la position « O (OFF) ».

Réglage de la cadence de la coupe orbitale



► 1. Sélecteur

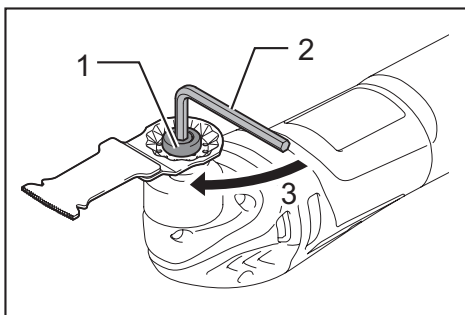
La cadence de la coupe orbitale est réglable. Pour changer la cadence de coupe orbitale, placez le sélecteur entre les positions 1 et 5. Plus le chiffre est élevé, plus la cadence est grande. Réglez le sélecteur à l'avance sur le chiffre qui correspond au travail à effectuer.

NOTE :

- Il n'est pas possible de tourner le sélecteur directement de 1 à 5 ou de 5 à 1. Forcer le sélecteur à tourner pourrait endommager l'outil. Lorsque vous changez le sens du sélecteur, arrêtez-le devant chaque chiffre intermédiaire.

Commande de vitesse constante

Commande de vitesse électronique pour obtenir une vitesse constante. Il est possible d'obtenir une finition soignée car la cadence de coupe orbitale est constante même lorsqu'une force est appliquée.



- 1. Boulon de montage de l'outil 2. Clé hexagonale 3. Serrer

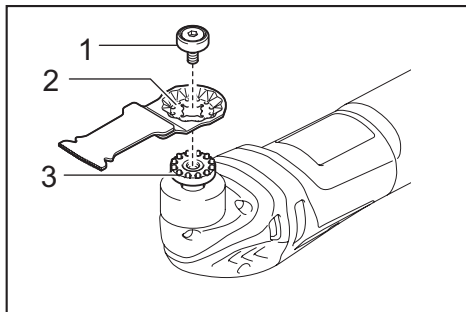
Installez l'outil d'application (accessoire en option) sur le collet de l'outil, de sorte que les saillies du collet s'ajustent dans les encoches de l'outil d'application, et fixez-le soigneusement en serrant fermement le boulon à l'aide de la clé hexagonale. Lorsque vous utilisez un outil d'application destiné au ponçage, montez-le sur le patin de ponçage dans le même sens. Le patin de ponçage dispose d'un dispositif d'attache composé d'un crochet et d'un arceau, ce qui permet d'installer facilement et rapidement le papier abrasif. Comme les papiers abrasifs disposent de trous pour extraire la poussière, montez le papier de sorte que ses trous s'ajustent à ceux du patin de ponçage. Pour retirer un papier abrasif, soulevez l'une de ses extrémités et retirez-le. Desserrez et retirez le boulon de montage à l'aide d'une clé hexagonale afin de retirer l'outil d'application.

ASSEMBLAGE**ATTENTION :**

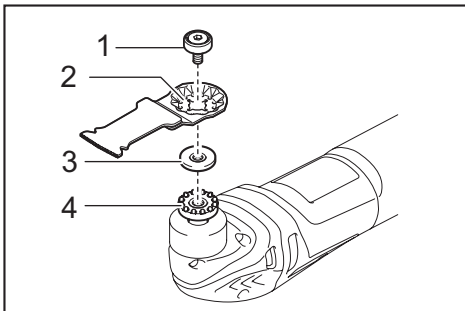
- Avant d'effectuer toute intervention sur l'outil, assurez-vous toujours qu'il est hors tension et débranché.

Installation ou retrait de l'outil d'application (accessoire en option)**MISE EN GARDE :**

- N'installez pas d'outil d'application à l'envers. Cela pourrait endommager l'outil et causer de graves blessures à l'utilisateur.
- Installez l'accessoire dans le bon sens, en fonction de votre travail. Les outils d'application peuvent être installés selon plusieurs angles, par paliers de 30°.



- 1. Boulon de montage de l'outil 2. Encoches sur l'outil d'application 3. Saillies du collet de l'outil



- 1. Boulon de montage de l'outil 2. Encoches sur l'outil d'application 3. Adaptateur 4. Saillies du collet de l'outil

Lors de l'utilisation d'outils avec un type de section d'installation différent, utilisez un adaptateur correct (accessoire en option).

UTILISATION**MISE EN GARDE :**

- Avant de démarrer l'outil et pendant son utilisation, tenez-le à l'écart de vos mains et de votre visage.

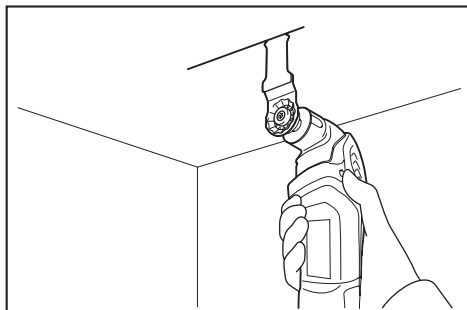
ATTENTION :

- N'appliquez pas une force excessive sur l'outil, car cela pourrait bloquer le moteur et arrêter l'outil.

Couper, scier et raboter

⚠ ATTENTION :

- Ne poussez pas avec force sur l'outil en direction (p. ex. d'un côté ou de l'autre) de l'application sans bord tranchant. Cela risque d'endommager l'outil.



Mettez l'outil d'application sur l'ouvrage. Déplacez ensuite l'outil vers l'avant, pour que le mouvement de l'outil d'application ne ralentisse pas.

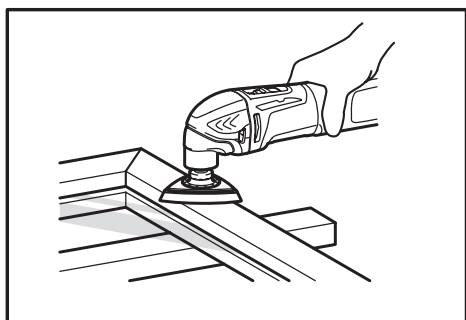
NOTE :

- Appliquer une pression excessive sur l'outil peut en réduire l'efficacité.
- Avant de démarrer un travail de coupe, il est recommandé de paramétrer la cadence de coupe orbitale entre 3 et 5.

Ponçage

⚠ ATTENTION :

- Ne réutilisez pas de papier abrasif ayant servi à poncer du métal pour poncer du bois.
- N'utilisez pas de papier abrasif usé ou de papier abrasif sans grain.

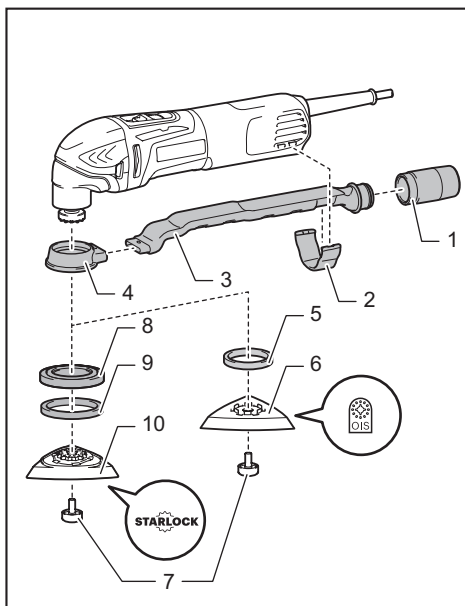


Appliquez le papier abrasif sur l'ouvrage.

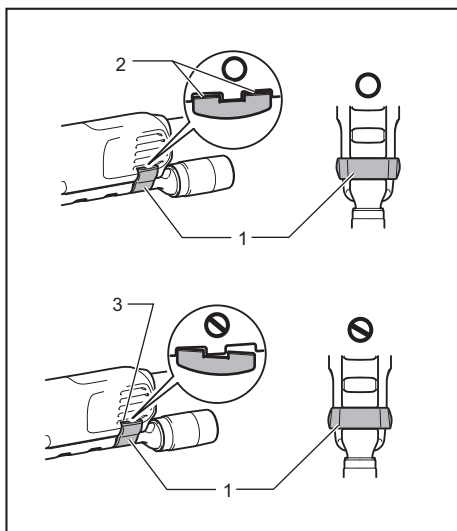
NOTE :

- Il est recommandé de tester l'outil sur un échantillon afin de déterminer quelle cadence de coupe orbitale est la plus adaptée pour votre travail.
- Utilisez un papier abrasif du même grain pour toute l'opération de ponçage. Si vous utilisez des papiers abrasifs de grains différents, il se peut que la finition ne soit pas soignée.

Extracteur de poussière (accessoire en option)



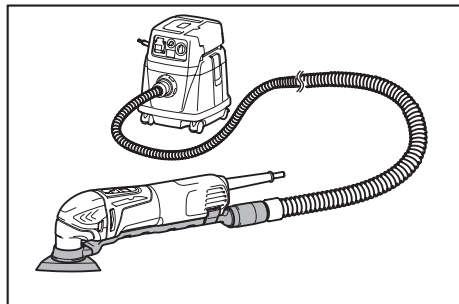
- 1. Raccord 2. Bande de distributeur 3. Raccord à poussières 4. Ramasse-poussière 5. Rondelle de feutre (\varnothing 37 mm (1-7/16")) 6. Patin (avec marquage OIS) 7. Boulon de montage de l'outil 8. Entretoise 9. Rondelle de feutre (\varnothing 47 mm (1-7/8")) 10. Patin (avec marquage STARLOCK)



- 1. Bande de distributeur 2. Saillies 3. Trous

- Installez le joint, le raccord à poussière et le ramasse-poussière.

- Installez l'attache du raccord sur l'outil, de sorte que ses saillies s'ajustent aux trous de l'outil et qu'il soit solidement attaché.
- Installez le joint en feutre et le patin de ponçage sur le ramasse-poussière et serrez-les soigneusement avec le boulon de montage de l'outil d'application.



Pour un travail plus propre, branchez un aspirateur à l'outil. Connectez le tuyau de l'aspirateur à l'extracteur de poussière (accessoire en option).

ENTRETIEN

⚠ ATTENTION :

- Assurez-vous toujours que l'outil est hors tension et débranché avant d'y effectuer tout travail d'inspection ou d'entretien.
- N'utilisez jamais d'essence, de benzine, de solvant, d'alcool ou d'autres produits similaires. Une décoloration, une déformation, ou la formation de fissures peuvent en découler.

Pour maintenir la SÉCURITÉ et la FIABILITÉ du produit, les réparations, l'inspection et le remplacement des charbons, et tout autre travail d'entretien ou de réglage doivent être effectués dans une usine ou un centre de service après-vente Makita agréé, exclusivement avec des pièces de rechange Makita.

ACCESSOIRES EN OPTION

⚠ ATTENTION :

- Ces accessoires ou pièces complémentaires sont recommandés pour l'utilisation avec l'outil Makita spécifié dans ce mode d'emploi. L'utilisation de tout autre accessoire ou pièce complémentaire peut comporter un risque de blessure. N'utilisez les accessoires ou pièces qu'aux fins auxquelles ils ont été conçus.

Si vous désirez obtenir plus de détails concernant ces accessoires, veuillez contacter le centre de service après-vente Makita le plus près.

- Lame de scie segmentée
- Lame de scie circulaire
- Lame de scie plongeante
- Rabot (rigide)
- Rabot (flexible)
- Lame segmentée dentelée
- Coupe-joint universel
- Décapant pour métal dur
- Lame de scie segmentée en métal dur
- Patin de ponçage en métal dur
- Lame de scie segmentée à diamant
- Patin de ponçage
- Adaptateur
- Papier abrasif delta (rouge / blanc / noir)
- Tissu de lustrage delta (moyen / gros / sans grain)
- Feutre à polir delta
- Clé hexagonale
- Attache de l'extracteur de poussière

NOTE :

- Certains éléments de la liste peuvent être inclus avec l'outil comme accessoires standard. Ils peuvent varier suivant les pays.

GARANTIE LIMITÉE MAKITA

Pour les conditions de garantie en vigueur qui s'appliquent à ce produit, veuillez vous reporter à la feuille de garantie en annexe. Si la feuille de garantie en annexe n'est pas disponible, reportez-vous aux détails de la garantie présentés sur le site Web de votre pays, ci-dessous.

États-Unis d'Amérique: www.makitatools.com

Canada: www.makita.ca

Autres pays: www.makita.com

ESPECIFICACIONES

Modelo	TM3000C
Especificaciones eléctricas en México	120 V ~ 3 A 50/60 Hz
Oscilaciones por minuto	6 000 r/min - 20 000 r/min
Ángulo de oscilación, izquierda/derecha	1,6° (3,2° total)
Longitud total	275 mm (10-7/8")
Peso neto	1,4 kg (3,2 lbs.)

- Debido a nuestro programa continuo de investigación y desarrollo, las especificaciones aquí dadas están sujetas a cambios sin previo aviso.
- Las especificaciones pueden ser diferentes de país a país.
- Peso de acuerdo al procedimiento de EPTA-01/2003

Advertencias de seguridad generales para herramientas eléctricas

⚠ADVERTENCIA: lea todas las advertencias de seguridad e instrucciones. Si no sigue todas las advertencias e instrucciones indicadas a continuación, podrá ocasionar una descarga eléctrica, un incendio y/o lesiones graves.

Guarde todas las advertencias e instrucciones para su futura referencia.

El término "herramienta eléctrica" se refiere, en todas las advertencias que aparecen a continuación, a su herramienta eléctrica de funcionamiento con conexión a la red eléctrica (con cableado eléctrico) o herramienta eléctrica de funcionamiento a batería (inalámbrica).

Seguridad en el área de trabajo

1. **Mantenga el área de trabajo limpia y bien iluminada.** Las áreas oscuras o desordenadas son propensas a accidentes.
2. **No utilice las herramientas eléctricas en atmósferas explosivas, tal como en la presencia de líquidos, gases o polvo inflamables.** Las herramientas eléctricas crean chispas que pueden prender fuego al polvo o los humos.
3. **Mantenga a los niños y curiosos alejados mientras utiliza una herramienta eléctrica.** Las distracciones le pueden hacer perder el control.

Seguridad eléctrica

4. **Las clavijas de conexión de las herramientas eléctricas deberán encajar perfectamente en la toma de corriente. No modifique nunca la clavija de conexión de ninguna forma. No utilice ninguna clavija adaptadora con herramientas eléctricas que tengan conexión a tierra (puesta a tierra).** La utilización de clavijas no modificadas y que encajen perfectamente en la toma de corriente reducirá el riesgo de que se produzca una descarga eléctrica.
5. **Evite tocar con el cuerpo superficies conectadas a tierra o puestas a tierra tales como tubos, radiadores, cocinas y refrigeradores.** Si su cuerpo es puesto a tierra o conectado a tierra existirá un mayor riesgo de que sufra una descarga eléctrica.

6. **No exponga las herramientas eléctricas a la lluvia ni a condiciones húmedas.** La entrada de agua en una herramienta eléctrica aumentará el riesgo de que se produzca una descarga eléctrica.
7. **No jale el cable. Nunca utilice el cable para transportar, jalar o desconectar la herramienta eléctrica. Mantenga el cable alejado del calor, aceite, objetos cortantes o piezas móviles.** Los cables dañados o atrapados aumentan el riesgo de sufrir una descarga eléctrica.
8. **Cuando utilice una herramienta eléctrica en exteriores, utilice un cable de extensión apropiado para uso en exteriores.** La utilización de un cable apropiado para uso en exteriores reducirá el riesgo de que se produzca una descarga eléctrica.
9. **Si no es posible evitar usar una herramienta eléctrica en condiciones húmedas, utilice un alimentador protegido con interruptor de circuito de falla en tierra (ICFT).** El uso de un ICFT reduce el riesgo de descarga eléctrica.

Seguridad personal

10. **Manténgase alerta, preste atención a lo que está haciendo y utilice su sentido común cuando opere una herramienta eléctrica. No utilice la herramienta eléctrica cuando esté cansado o bajo la influencia de drogas, alcohol o medicamentos.** Un momento de distracción mientras opera la máquina puede dar como resultado heridas personales graves.
11. **Use equipo de protección personal. Póngase siempre protección para los ojos.** El equipo protector tal como máscara contra el polvo, zapatos de seguridad antiderrapantes, casco rígido y protección para oídos utilizado en las condiciones apropiadas reducirá las heridas personales.
12. **Impida el encendido accidental. Asegúrese de que el interruptor esté en la posición de apagado antes de conectar a la alimentación eléctrica y/o de colocar el cartucho de la batería, así como al levantar o cargar la herramienta.** Cargar las herramientas eléctricas con su dedo en el interruptor o conectarlas con el interruptor encendido hace que los accidentes sean propensos.

13. **Retire cualquier llave de ajuste o llave de apriete antes de encender la herramienta.** Una llave de ajuste o llave de apriete que haya sido dejada puesta en una parte giratoria de la herramienta eléctrica podrá resultar en heridas personales.
14. **No utilice la herramienta donde no alcance. Mantenga los pies sobre suelo firme y el equilibrio en todo momento.** Esto permite un mejor control de la herramienta eléctrica en situaciones inesperadas.
15. **Use vestimenta apropiada. No use ropas sueltas ni joyas. Mantenga el cabello, la ropa y los guantes alejados de las partes móviles, ya que pueden ser atrapadas por estas partes en movimiento.**
16. **Si dispone de dispositivos para la conexión de equipos de extracción y recolección de polvo, asegúrese de conectarlos y utilizarlos debidamente.** La utilización de estos dispositivos reduce los riesgos relacionados con el polvo.

Mantenimiento y uso de la herramienta eléctrica

17. **No fuerce la herramienta eléctrica. Utilice la herramienta eléctrica correcta para su aplicación.** La herramienta eléctrica adecuada hará un trabajo mejor a la velocidad para la que ha sido fabricada.
18. **No utilice la herramienta eléctrica si el interruptor no la enciende y apaga.** Cualquier herramienta eléctrica que no pueda ser controlada con el interruptor es peligrosa y debe ser reemplazada.
19. **Desconecte la clavija de la fuente de energía y/o la batería de la herramienta eléctrica antes de realizar ajustes, cambiar accesorios o guardar las herramientas eléctricas.** Dichas medidas de seguridad preventivas reducen el riesgo de que la herramienta se inicie accidentalmente.
20. **Guarde la herramienta eléctrica que no use fuera del alcance de los niños y no permita que las personas que no están familiarizadas con ella o con las instrucciones la operen.** Las herramientas eléctricas son peligrosas en manos de personas que no saben operarlas.

21. **Realice el mantenimiento a las herramientas eléctricas. Compruebe que no haya partes móviles desalineadas o estancadas, piezas rotas y cualquier otra condición que pueda afectar al funcionamiento de la herramienta eléctrica. Si la herramienta eléctrica está dañada, haga que se la reparen antes de utilizarla.** Muchos accidentes son ocasionados por herramientas eléctricas con un mal mantenimiento.
22. **Mantenga las herramientas de corte limpias y filosas.** Si recibe un mantenimiento adecuado y tiene los bordes afilados, es probable que la herramienta se atasque menos y sea más fácil controlarla.
23. **Utilice la herramienta eléctrica, así como accesorios, piezas, brocas, etc. de acuerdo con estas instrucciones y de la manera establecida para cada tipo de unidad en particular; tenga en cuenta las condiciones laborales y el trabajo a realizar.** Si utiliza la herramienta eléctrica para realizar operaciones distintas de las indicadas, podrá presentarse una situación peligrosa.

Servicio de mantenimiento

24. **Haga que una persona calificada repare la herramienta utilizando sólo piezas de repuesto idénticas.** Esto asegura que se mantenga la seguridad de la herramienta eléctrica.
25. **Siga las instrucciones para la lubricación y cambio de accesorios.**
26. **Mantenga las agarraderas secas, limpias y sin aceite o grasa.**

UTILICE CABLES DE EXTENSIÓN APROPIADOS. Asegúrese de que su cable de extensión esté en buenas condiciones. Cuando utilice un cable de extensión, asegúrese de utilizar uno del calibre suficiente para conducir la corriente que demande el producto. Un cable de calibre inferior ocasionará una caída en la tensión de línea y a su vez en una pérdida de potencia y sobrecalentamiento. La Tabla 1 muestra la medida correcta a utilizar dependiendo de la longitud del cable y el amperaje nominal indicado en la placa de características. Si no está seguro, utilice el siguiente calibre más alto. Cuanto menor sea el número de calibre, más corriente podrá conducir el cable.

Tabla 1. Calibre mínimo para el cable

Amperaje nominal		Volts	Longitud total del cable en metros			
		120V~	7,6 m (25 ft)	15,2 m (50 ft)	30,4 m (100 ft)	45,7 m (150 ft)
		220V~ - 240V~	15,2 m (50 ft)	30,4 m (100 ft)	60,8 m (200 ft)	91,2 m (300 ft)
Más de	No más de	Calibre del cable (AWG)				
0 A	6 A	/	18	16	16	14
6 A	10 A		18	16	14	12
10 A	12 A		16	16	14	12
12 A	16 A		14	12	No se recomienda	

Advertencias de seguridad para la multitool

1. Esta herramienta eléctrica está diseñada para realizar operaciones de aserrado, corte, esmerilado y lijado. Lea todas las advertencias de seguridad, instrucciones, ilustraciones y especificaciones que se incluyen con esta herramienta eléctrica. El no seguir todas las instrucciones indicadas a continuación podría provocar una descarga eléctrica, incendio y/o lesiones graves.
2. Sujete la herramienta eléctrica por las superficies de aislamiento aisladas cuando realice una operación en la que el accesorio de corte pueda entrar en contacto con cableado oculto o su propio cable. El contacto con un cable con corriente también hará que la corriente circule por las piezas metálicas expuestas de la herramienta eléctrica pudiendo ocasionar una descarga eléctrica al operador.
3. Utilice abrazaderas o algún otro modo práctico para asegurar y sujetar la pieza de trabajo a una plataforma estable. Sostener la pieza de trabajo con la mano o contra su cuerpo produce inestabilidad y una posible pérdida de control.
4. Coloque el cable lejos del accesorio giratorio. Si pierde el control, el cable podría ser cortado o enredarse y jalar su mano o brazo hacia el accesorio giratorio.
5. Use siempre gafas de seguridad o protectoras. Los anteojos comunes o para el sol NO son gafas de seguridad.
6. Evite cortar clavos. Revise la pieza de trabajo y quite todos los clavos antes de la operación.
7. Sostenga la herramienta con firmeza.
8. Asegúrese de que la pieza de aplicación no esté haciendo contacto con la pieza de trabajo antes de activar el interruptor.
9. Mantenga las manos alejadas de las piezas móviles.
10. No deje la herramienta en marcha. Opere la herramienta solamente cuando la tenga en la mano.
11. Siempre apague la herramienta y espere a que la hoja se haya detenido por completo antes de retirarla de la pieza de trabajo.
12. No toque la pieza de aplicación ni la pieza de trabajo inmediatamente después de la operación; éstas podrían estar muy calientes y provocarle quemaduras en la piel.
13. No opere la herramienta sin carga innecesariamente.
14. Siempre utilice la máscara contra polvo/respirador indicado para el material y la aplicación con los que esté trabajando.
15. Algunos materiales contienen sustancias químicas que pueden ser tóxicas. Tome precauciones para evitar la inhalación de polvo y el contacto de éste con la piel. Consulte la información de seguridad del proveedor de los materiales.
16. Esta herramienta no es a prueba de agua, por lo que no deberá utilizar agua en la superficie de la pieza de trabajo.
17. Ventile el área de trabajo adecuadamente cuando realice operaciones de lijado.
18. El uso de esta herramienta para lijar algunos productos, p. ej., pinturas con plomo, madera y metales podría exponer al usuario y a las personas alrededor a polvo que contenga sustancias peligrosas. Utilice protección respiratoria apropiada.
19. Asegúrese de que no haya grietas o roturas en la almohadilla antes de usar la herramienta. Las grietas o roturas podrían causar lesiones personales.
20. No utilice accesorios que no hayan sido específicamente diseñados o recomendados por el fabricante de la herramienta. Sólo porque un accesorio pueda ensamblarse en su herramienta eléctrica no garantiza una operación segura.
21. Utilice equipo de protección personal. Dependiendo de la aplicación, utilice careta y gafas o anteojos de seguridad. Según sea apropiado, utilice protectores para los oídos, guantes y mandil de trabajo capaz de detener fragmentos abrasivos pequeños o generados por la pieza de trabajo. La protección para los ojos debe ser capaz de detener los residuos proyectados a causa de las distintas operaciones. La máscara contra polvo o el respirador deben ser capaces de filtrar las partículas generadas durante la operación. La exposición prolongada al ruido de alta intensidad puede ocasionar pérdida auditiva.
22. Mantenga a las personas alrededor a una distancia segura lejos del área de trabajo. Cualquier persona que ingrese al área de trabajo debe usar equipo de protección personal. Los fragmentos de la pieza de trabajo o de algún accesorio roto podrían salir proyectados más allá del área inmediata de operación y causar lesiones.
23. Nunca coloque la herramienta eléctrica en el suelo hasta que el accesorio se haya detenido por completo. El accesorio giratorio podría agarrar la superficie y jalar la herramienta eléctrica haciendo que usted pierda el control sobre ella.
24. No tenga en marcha la herramienta eléctrica mientras la lleva cargando a un costado. El contacto accidental con el accesorio podría enganchar su ropa jalando el accesorio hacia su cuerpo.
25. No opere la herramienta eléctrica cerca de materiales inflamables. Las chispas podrían encender estos materiales.
26. No utilice accesorios que requieran refrigerantes líquidos. El uso de agua u otros refrigerantes líquidos podrían provocar una electrocución o descarga eléctrica.
27. Asegúrese siempre de que la herramienta esté apagada y desenchufada antes de realizar cualquier trabajo en la herramienta.



28. Si el lugar de trabajo es extremadamente caluroso y húmedo, o si está muy contaminado con polvo conductor, utilice un interruptor de cortocircuito (30 mA) para garantizar la seguridad del operador.
29. Asegúrese siempre de pisar sobre suelo firme. Asegúrese de que no haya nadie abajo cuando use la herramienta en lugares elevados.
30. Antes de iniciar la operación, asegúrese de que no hay líneas de suministro ocultas, tales como de electricidad, gas y agua abajo de la superficie en la que trabaje. El cortar o dañar las líneas de suministro puede ocasionar un choque eléctrico, fuga de gas, daños a la propiedad u otros accidentes.

GUARDE ESTAS INSTRUCCIONES.

⚠ADVERTENCIA: NO DEJE que la comodidad o familiaridad con el producto (a base de utilizarlo repetidamente) sustituya la estricta observancia de las normas de seguridad para dicho producto. El MAL USO o el no seguir las normas de seguridad establecidas en este manual de instrucciones puede ocasionar lesiones personales graves.

Símbolos

A continuación se muestran los símbolos utilizados para la herramienta.

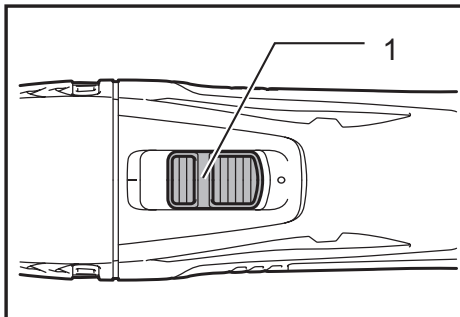
V	volts o voltios
A	amperes
Hz	hertz
	corriente alterna
n_0	velocidad en vacío o sin carga
	Construcción clase II
... /min r /min	revoluciones o alternaciones por minuto, frecuencia de rotación.

DESCRIPCIÓN DEL FUNCIONAMIENTO

⚠ADVERTENCIA:

- Asegúrese siempre de que la herramienta esté apagada y desconectada antes de ajustar o comprobar cualquier función en la misma. No seguir esta indicación de apagar y desenchufar la herramienta puede causar graves lesiones personales debido al encendido accidental.

Accionamiento del interruptor



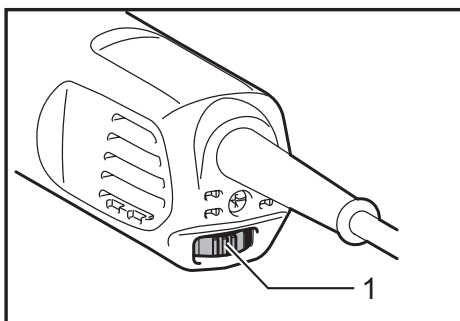
► 1. Interruptor deslizable

⚠PRECAUCIÓN:

- Antes de conectar la herramienta, compruebe siempre y asegúrese de que esté apagada.

Para iniciar la herramienta, deslice interruptor deslizable hacia la posición de encendido "I (ON)". Para parar la herramienta, deslice el interruptor deslizable hacia la posición de apagado "O (OFF)".

Ajuste de la tasa de ciclo orbital.



► 1. Selector

La tasa de ciclo orbital es ajustable. Para cambiar la tasa de ciclo orbital, gire el selector entre 1 y 5. Entre mayor sea el número, mayor será la tasa de ciclo orbital. Preajuste el selector al número adecuado para su pieza de trabajo.

NOTA:

- El selector no puede girarse del 1 al 5, ni del 5 al 1 de forma directa. Forzar el selector puede dañar la herramienta. Al cambiar el ajuste del selector, gírelo siempre moviendo a través de cada número intermedio.

Control de velocidad constante

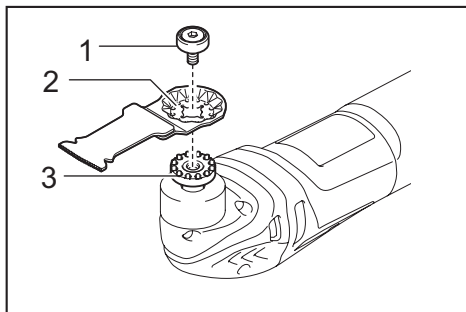
Control electrónico de velocidad para conseguir una velocidad constante. Es posible lograr un buen acabado debido a que la tasa de ciclo orbital se mantiene constante incluso al operar con carga de trabajo.

ENSAMBLE**⚠PRECAUCIÓN:**

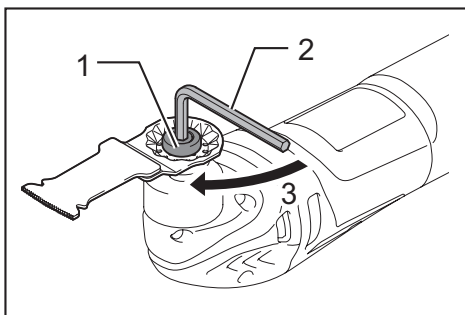
- Asegúrese siempre de que la herramienta esté apagada y desconectada antes de realizar cualquier trabajo en la misma.

Instalación o desmontaje de la pieza de aplicación (accesorio opcional)**⚠ADVERTENCIA:**

- No instale la pieza de aplicación al revés. Al instalar la pieza de aplicación al revés puede que se dañe la herramienta y que cause graves lesiones personales.
- Instale el aditamento de la herramienta con la orientación correcta de acuerdo a la labor a ser realizada. La pieza de aplicación puede instalarse a un ángulo en intervalos de 30 grados.



- 1. Perno de instalación de la pieza de aplicación 2. Orificios en la pieza de aplicación 3. Protuberancias en la brida de la herramienta



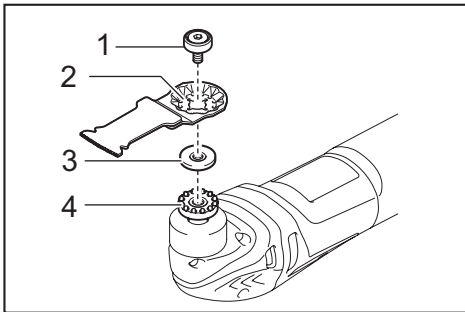
- 1. Perno de instalación de la pieza de aplicación 2. Llave hexagonal 3. Apretar

Coloque una pieza de aplicación (accesorio opcional) sobre la brida de la herramienta de tal forma que las protuberancias de la brida encajen en los orificios en la pieza de aplicación y fije este aditamento al apretar el perno con firmeza mediante una llave hexagonal. Al usar la pieza de aplicación para lijado, coloque la herramienta sobre la almohadilla de lijado de tal forma que corresponda con la dirección para lijar de ésta. La almohadilla de lijado cuenta con sistema en emboñado de gancho y ojal el cual facilita una colocación rápida del papel de lijado.

Debido a que el papel de lijado cuenta con orificios para la extracción de polvo, coloque un papel de lijado cuyos orificios en éste correspondan con los de la almohadilla de lijado.

Para quitar el papel de lijado, levante su extremo y despréndalo.

Afloje y retire el perno de instalación de la pieza de aplicación mediante una llave hexagonal y luego quite la herramienta de instalación.



- 1. Perno de instalación de la pieza de aplicación 2. Orificios en la pieza de aplicación 3. Adaptador 4. Protuberancias en la brida de la herramienta

Use el adaptador correspondiente (accesorio opcional) al utilizar piezas de aplicación con un tipo distinto de sección instalación.

OPERACIÓN

⚠️ ADVERTENCIA:

- Antes de arrancar la herramienta, así como durante la operación, mantenga sus manos y rostro alejados de la herramienta de la aplicación.

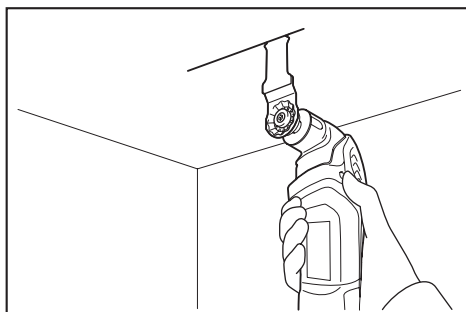
⚠️ PRECAUCIÓN:

- No aplique carga excesiva a la herramienta lo cual puede que cause que el motor se trabe, deteniendo la herramienta.

Cortado, lijado y raspado

⚠️ PRECAUCIÓN:

- No fuerce el movimiento de la herramienta en la dirección que no tiene borde de corte de la aplicación de la herramienta (p.ej. hacia alguno de los lados). Puede que se dañe la herramienta.



Coloque la pieza de aplicación sobre la pieza de trabajo. Luego mueva la herramienta hacia adelante de tal forma que el movimiento de la pieza de aplicación no se desacelere.

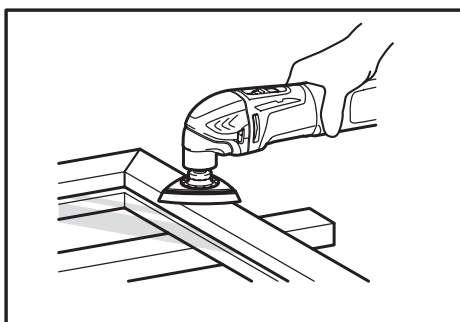
NOTA:

- Forzar o aplicar presión excesiva sobre la herramienta puede que reduzca la eficiencia de ésta.
- Antes de la operación de corte, se recomienda preajustar la tasa de ciclo orbital entre 3 y 5.

Lijado

⚠️ PRECAUCIÓN:

- No reutilice papel de lijado para lijar metal que haya sido usado para lijar madera.
- No use papel de lijado desgastado ni papel de lijado sin grano.

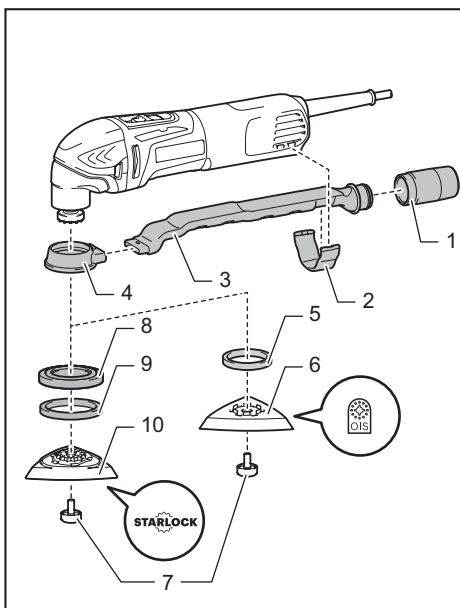


Aplique el papel de lijado a la pieza de trabajo.

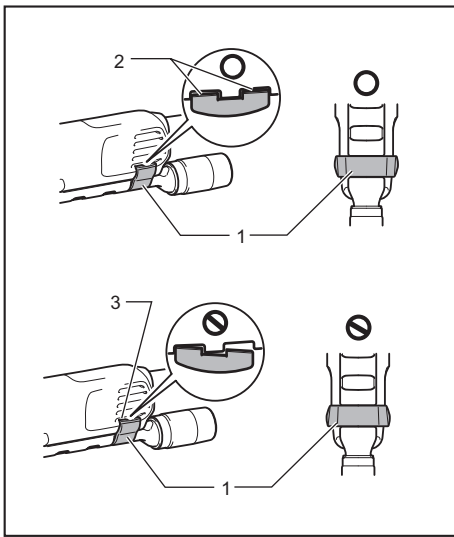
NOTA:

- Se recomienda usar un material de muestra para probar y determinar una tasa de ciclo orbital correcta que sea adecuada para el trabajo a ser realizado.
- Use un papel de lijado del mismo grano hasta que se haya lijado toda la pieza de trabajo por completo. Cambiar un papel de lijado a uno con un grano distinto puede ocasionar que no se consiga un buen acabado.

Aditamento de boquilla para polvo (accesorio opcional)

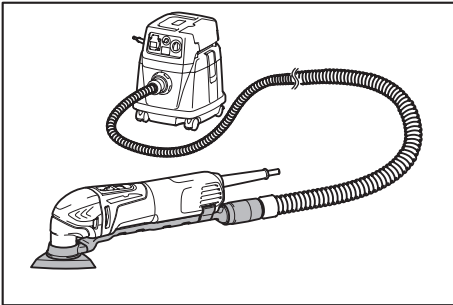


- 1. Junta 2. abrazadera de boquilla 3. Boquilla para polvo 4. Aditamento para polvo 5. Anillo de fieltro (ø 37 mm (1-7/16")) 6. Almohadilla (con marca OIS) 7. Perno de instalación de la pieza de aplicación 8. Espaciador 9. Anillo de fieltro (ø 47 mm (1-7/8")) 10. Almohadilla (con marca STARLOCK)



► 1. Abrazadera de boquilla 2. Protuberancias
3. Orificio

- Instale la junta, la boquilla y el aditamento para polvo.
- Instale la abrazadera de boquilla sobre la herramienta de tal forma que sus protuberancias encajen en los orificios en la herramienta para que quede fija.
- Coloque el aro de fieltro y la almohadilla de lijado sobre el aditamento para polvo, y luego fijelos con el perno de instalación de la pieza de aplicación.



Cuando desee realizar una operación más limpia, conecte una aspiradora a su herramienta. Conecte una manguera de aspiradora al aditamento de extracción de polvo (accesorio opcional).

MANTENIMIENTO

⚠PRECAUCIÓN:

- Asegúrese siempre que la herramienta esté apagada y desconectada antes de intentar realizar una inspección o mantenimiento.
- Nunca use gasolina, bencina, diluyente (tíner), alcohol o sustancias similares. Puede que esto ocasione grietas o descoloramiento.

Para mantener la SEGURIDAD y FIABILIDAD del producto, las reparaciones, la inspección y sustitución de las escobillas de carbón, y cualquier otro mantenimiento o ajuste deberán ser realizados en Centros o Servicios de fábrica Autorizados por Makita, empleando siempre piezas de repuesto de Makita.

ACCESORIOS OPCIONALES

⚠PRECAUCIÓN:

- Estos accesorios o aditamentos (incluidos o no) están recomendados para utilizar con su herramienta Makita especificada en este manual. El empleo de cualesquiera otros accesorios o acoplamientos conllevará un riesgo de sufrir heridas personales. Utilice los accesorios o acoplamientos solamente para su fin establecido.

Si necesita cualquier ayuda para más detalles en relación con estos accesorios, pregunte a su centro de servicio Makita local.

- Disco de sierra segmentado
- Hoja de sierra redondeada
- Hoja de sierra de corte por punción
- Raspador (rígido)
- Raspador (flexible)
- Cuchilla de sierra segmentada
- Cortador de juntas en general
- Removedor HM
- Hoja de sierra dentada HM
- Placa HM de lijado
- Hoja de sierra de diamante
- Papel de lijado
- Adaptador
- Papel delta abrasivo (rojo / blanco / negro)
- Felpa delta (medio / áspero / sin grano)
- Filtro delta para pulido
- Llave hexagonal
- Aditamento de extracción de polvo

NOTA:

- Algunos de los artículos en la lista puede que vengan junto con el paquete de la herramienta como accesorios incluidos. Puede que estos accesorios varíen de país a país.

GARANTÍA LIMITADA DE MAKITA

Ésta Garantía no aplica para México

Consulte la hoja de la garantía anexa para ver los términos más vigentes de la garantía aplicable a este producto. En caso de no disponer de esta hoja de garantía anexa, consulte los detalles sobre la garantía descritos en el sitio web de su país respectivo indicado a continuación.

Estados Unidos de América: www.makitatools.com

Canadá: www.makita.ca

Otros países: www.makita.com

< USA only >

WARNING

Some dust created by power sanding, sawing, grinding, drilling, and other construction activities contains chemicals known to the State of California to cause cancer, birth defects or other reproductive harm. Some examples of these chemicals are:

- lead from lead-based paints,
- crystalline silica from bricks and cement and other masonry products, and
- arsenic and chromium from chemically-treated lumber.

Your risk from these exposures varies, depending on how often you do this type of work. To reduce your exposure to these chemicals: work in a well ventilated area, and work with approved safety equipment, such as those dust masks that are specially designed to filter out microscopic particles.

< Sólo en los Estados Unidos >

ADVERTENCIA

Algunos polvos creados por el lijado, aserrado, esmerilado, taladrado y otras actividades de la construcción contienen sustancias químicas reconocidas por el Estado de California como causantes de cáncer, defectos de nacimiento y otros peligros de reproducción. Algunos ejemplos de estos productos químicos son:

- plomo de pinturas a base de plomo,
- sílice cristalino de ladrillos y cemento y otros productos de albañilería, y
- arsénico y cromo de maderas tratadas químicamente.

El riesgo al que se expone varía, dependiendo de la frecuencia con la que realice este tipo de trabajo. Para reducir la exposición a estos productos químicos: trabaje en un área bien ventilada y póngase el equipo de seguridad indicado, tal como las máscaras contra polvo que están especialmente diseñadas para filtrar partículas microscópicas.

Makita Corporation

3-11-8, Sumiyoshi-cho,
Anjo, Aichi 446-8502 Japan

www.makita.com

885123D940
TM3000C-1
EN, FRCA, ESMX
20181214